

## SUPERIOR TRAMWAY CO.,INC.

P.O. BOX 18066 SPOKANE, WA 99228

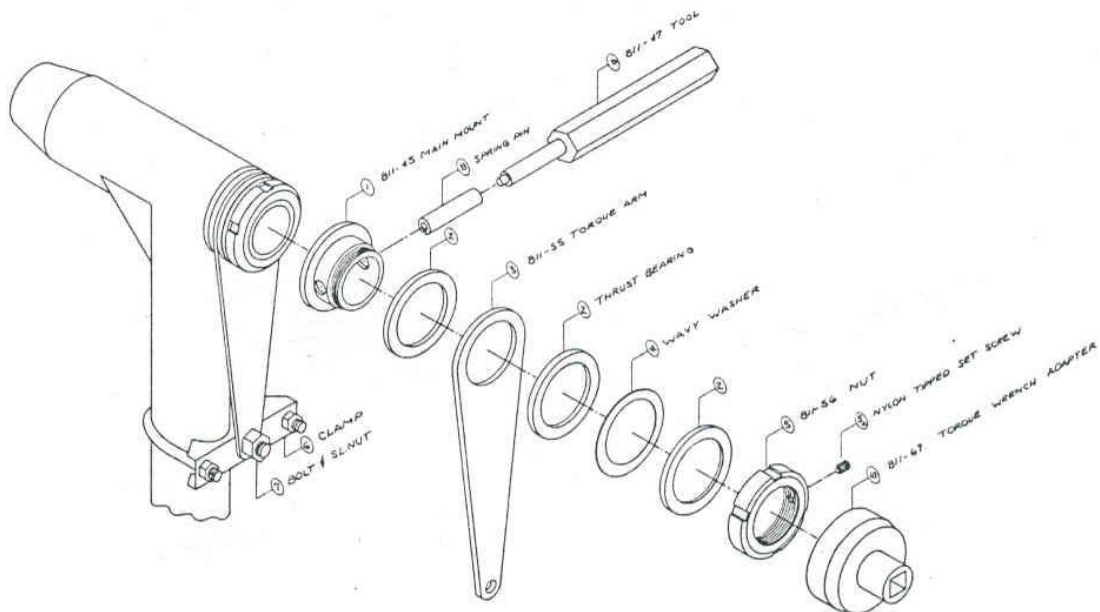
(509) 483-6181 FAX (509) 483-0948

E-MAIL: AERSUPTRM@AOL.COM

### CH-10 Swing Dampener

#### FEATURES

- 1) Fits all insert chair clips.
- 2) Requires no welding.
- 3) Adjustable dampening.
- 4) All parts zinc electroplated.
- 5) Disc brake for long component life.
- 6) Added security against disassembly.
- 7) Stabilizes chair in wind.
- 8) Reduces loading swing related problems.
- 9) Over 3,800 units in service since 1984.
- 10) Available for 15° offset hanger style.  
(not shown)



Quality Tramway Equipment