

SUPERIOR TRAMWAY CO, INC.

P.O. BOX 18066 SPOKANE, WA 99228

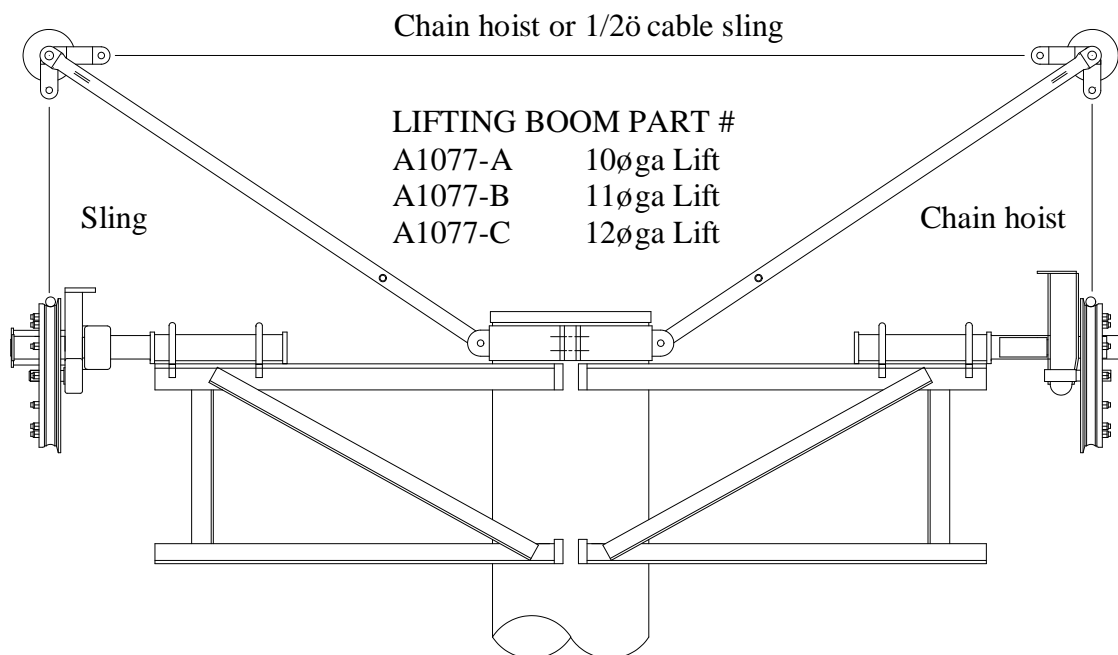
(509) 483-6181 FAX (509) 483-0948

E-MAIL: AERSUPTRM@AOL.COM

Rope Lifter For Riblet **Structural Crossarm**

FEATURES

- 1) No welding to install.
- 2) "A" frame design for lateral stability.
- 3) 5000 # max load limit.
- 4) Lightweight design to ease installation.
- 5) Removable for use at different locations.
- 6) "O" rope sheave incorporated into design for double lifting.
- 7) End connections sized for 3-1/2 ton screw pin shackles.
- 8) Chain hoists, cables, shackles and slings by customer or special order.



Quality Tramway Equipment