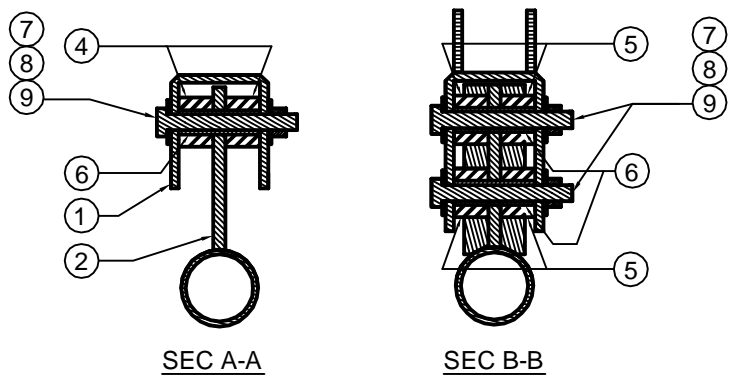


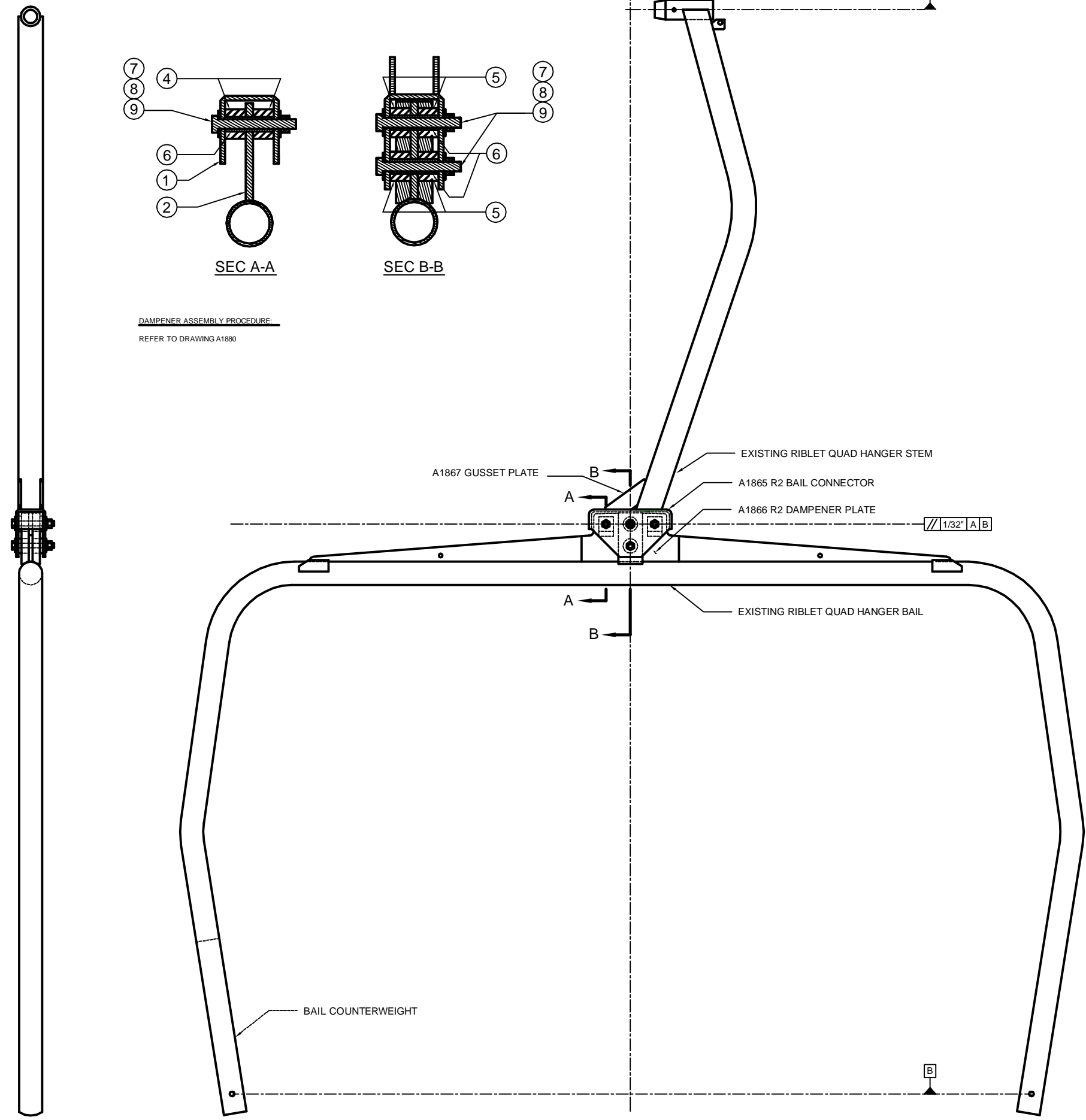
REV	DATE	BY	CHK
1			
2			
3			



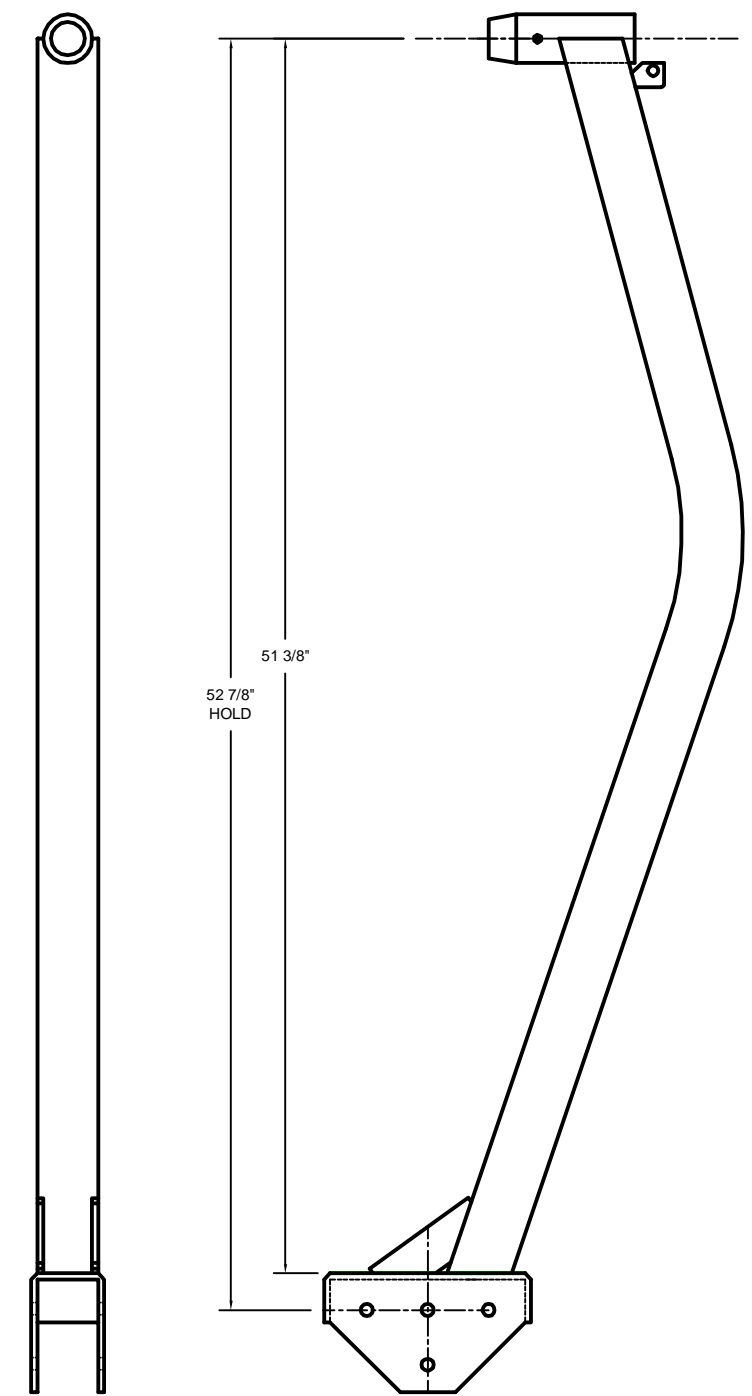
SEC A-A

SEC B-B

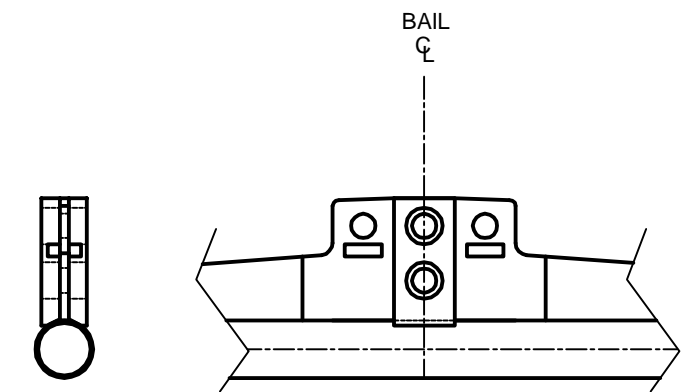
DAMPENER ASSEMBLY PROCEDURE:
REFER TO DRAWING A1880



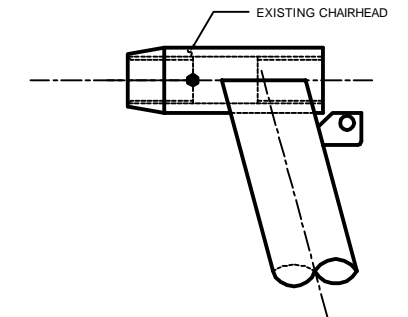
MODIFIED QUAD HANGER ASSEMBLY



STEM MODIFICATION DETAILS



BAIL MODIFICATION DETAILS



△△ BUSHING REAM DETAILS

QUAD BAIL HANGER MOD			
AERIAL ENGINEERING INC.			
FIELD MODIFICATION DETAILS			
DR: GJB	SCALE: NONE	A 1875	2